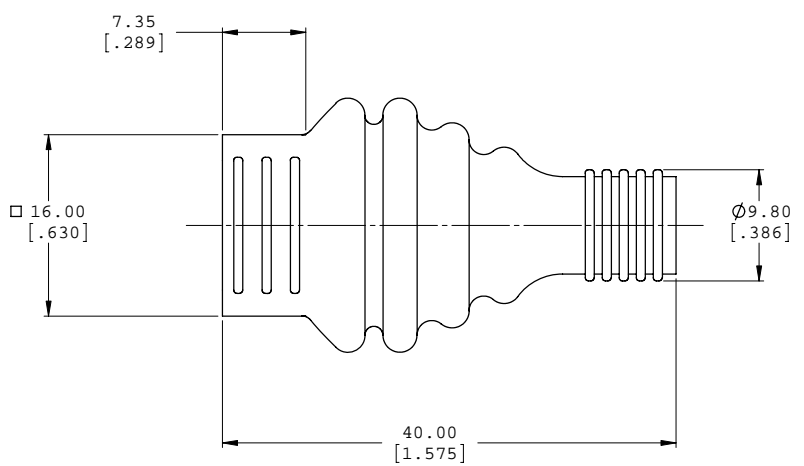
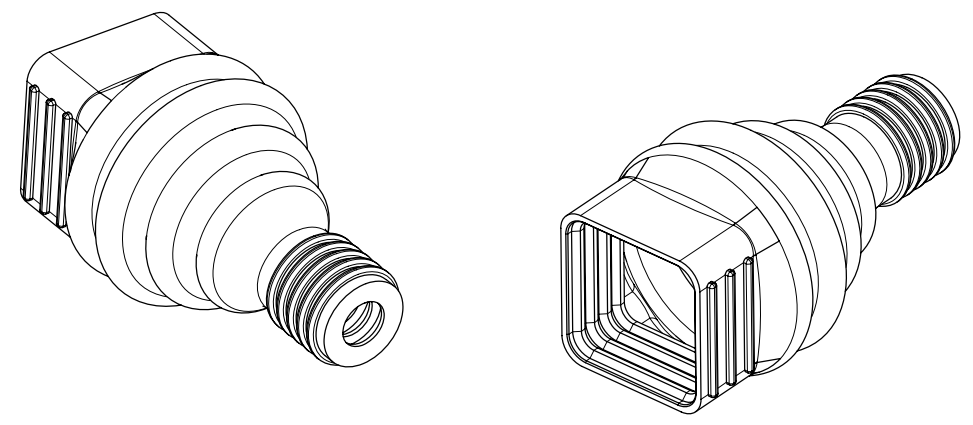
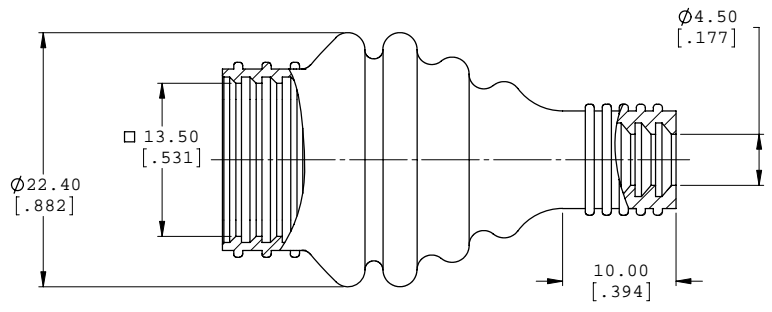


REVISIONS			
REV	ECN, ERN NO.	DATE	APPRD.
B	ECN E08315	NOV20/07	K.L.



NOTES:

1. MATERIAL: CLEAR SILICONE RUBBER.
2. OPERATING TEMPERATURE: -40°C TO +150°C.
3. PART IS ROHS COMPLIANT PER EU DIRECTIVE 2002/95/EC AND AMENDMENTS.
4. PART SUPPLIED BULK PACKED.

AMPHENOL PART NUMBER MRJ-258E-11-BP



UNLESS OTHERWISE SPECIFIED:		DATE	Amphenol Canada Corp.
DIMENSIONS ARE IN MILLIMETERS	DRAWN	A. DODDS	JUN28/07
TOLERANCES:	DESIGNED		
FRACTIONAL ±	CHECKED	K. LAMBE	NOV18/07
ANGULAR: MATCH ± BEND ±	I. E. APPRD.		
TWO PLACE DECIMAL ±	D. A. APPRD.		
THREE PLACE DECIMAL ±	DWG. APPRD.		
MATERIAL	ENG. REL. NO.	EAR E13132	
INTERPRET GEOMETRIC TOLERANCING PER:	REF.		
FINISH	DIMENSIONS ARE IN MILLIMETERS	CODE ID. NO.	
APPLICATION	DO NOT SCALE DRAWING		

TITLE:
MRJ SERIES BOOT FOR RJ PLUG & CABLE, ROHS COMPLIANT

SIZE DWG. NO. REV
C P-MRJ-258E-11-BP **B**
SCALE: 3:1 WEIGHT: SHEET 1 OF 1

PROPRIETARY AND CONFIDENTIAL
THIS DOCUMENT CONTAINS PROPRIETARY INFORMATION AND SUCH INFORMATION MAY NOT BE DISCLOSED TO OTHERS FOR ANY PURPOSE OR USED FOR MANUFACTURING PURPOSES WITHOUT WRITTEN PERMISSION FROM AMPHENOL CANADA CORP.

DO NOT SCALE DRAWING
THIS DOCUMENT CONTAINS PROPRIETARY INFORMATION AND SUCH INFORMATION MAY NOT BE DISCLOSED TO OTHERS FOR ANY PURPOSE OR USED FOR MANUFACTURING PURPOSES WITHOUT PERMISSION FROM AMPHENOL CANADA CORP.